



ADM-2115AP-VHB

Panel Mount 15-inch 1000 nits Very High Bright Sunlight Readable LCD Display Monitor

Features

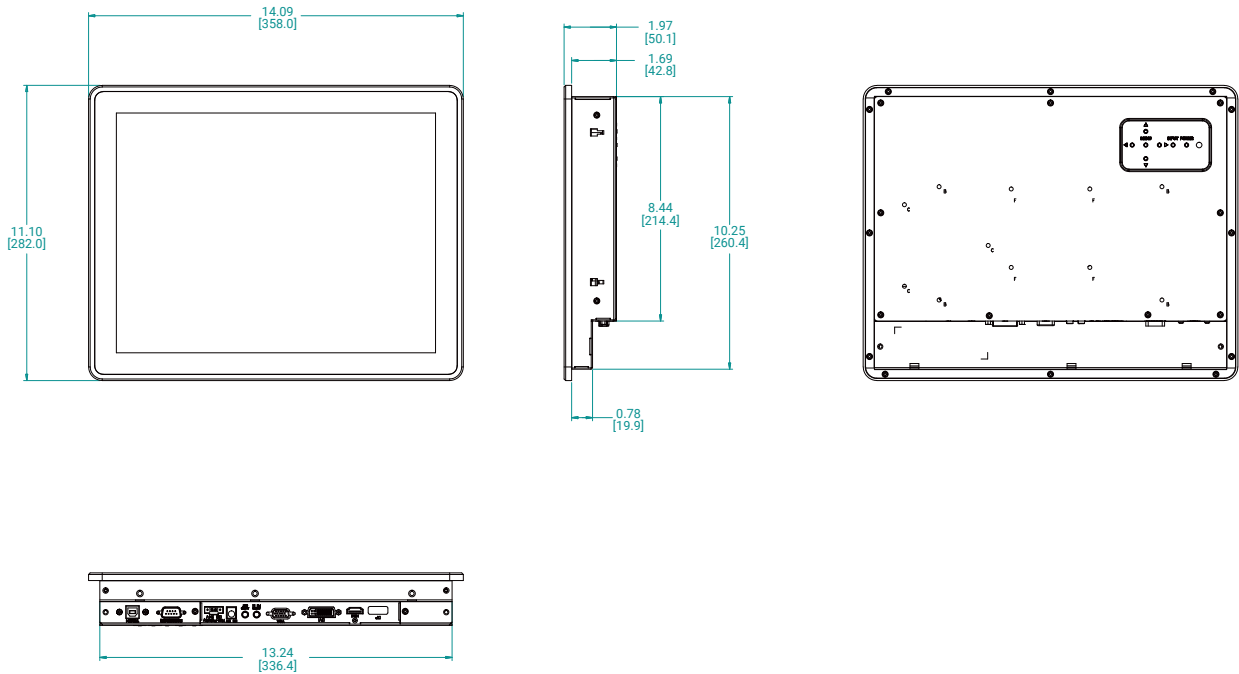
- 15-inch LCD Display, 1024 x 768 resolutions
- 1000 nits Very High Bright Sunlight Readable
- Project Capacitive Touch Screen supports multi-touch
- Anodized Aluminum or Stainless-Steel Bezel
- Bezel meets IP65 / NEMA 4X requirements
- RS-232, USB Touch Interface.
- VGA, DVI Input
- AC 100~240VAC to 12VDC Power Adaptor option
- 24VDC Operating Voltage option

Specifications

Model Name	ADM-2115AP-VHB
LCD Display	
Display Size (Diagonal)	15 inch
Resolution	1024 x 768
Backlight Lifetime (Hours)	50,000
Visual Characteristics	
Colors	16.7 millions
Aspect ratio	4:3
Viewing angle (V/H)	140° / 160°
Response time (Typical)	8 ms
Pixel Pitch (mm)	0.264 x 0.264
Contrast ratio	700 : 1
Brightness	1000 nits
Input Interface	
VGA	Yes
DVI	Yes
HDMI	Yes
Display Port	N/A
CVBS	N/A
YPbPr	N/A
Touch Screen	
Technology	Projected Capacitive
Touch Rating	50 Million Touches
Interface	USB
Driver	Windows 7 & up
Front Bezel	
NEMA 4	Aluminum
NEMA 4x	Stainless Steel (Optional)
Power/Thermal Specs	
Power Requirement (Max)	24VDC / 0.88A
Power Consumption (Max)	21 W
Recommended Power Supply	30 W
Heat Dissipation	72 BTU/hr
Physical Information	
Mounting	Panel Mount
Net Weight	--
Dimension (W x H x D)	14.09 x 11.10 x 1.98 inch 358.0 x 282.0 x 50.4 mm
Recommended Cutout Dimension (WxH)	13.44 x 10.45 inch 341.4 x 265.4 mm
Environmental	
Operating Temperature	0 to 50°C (32 to 122°F)
Storage Temperature	-20 to 60°C (-4 to 140°F)
Relative Humidity	0~95%
IP/NEMA Rating	Bezel meets NEMA 4/4X requirement
Certification	N/A

Dimension Drawing

Model Name: ADM-2115AP-VHB
 Size Unit: inch(mm)



Ordering Information

Item	ADM-2115AP-H00-VHB	ADM-2115AP-H01-VHB
LCD Display	VHB 15" / 1024 x 768	VHB 15" / 1024 x 768
Touch Screen	5-Wire Resistive	5-Wire Resistive
Mounting	Panel Mount	Panel Mount
Enclosure	Black	Black
Power Supply	24VDC Input	12VDC Power Adaptor

Item	ADM-2115AP-H04-VHB	ADM-2115AP-H05-VHB
LCD Display	VHB 15" / 1024 x 768	VHB 15" / 1024 x 768
Touch Screen	5-Wire Resistive	5-Wire Resistive
Mounting	Panel Mount	Panel Mount
Enclosure	Stainless Steel	Stainless Steel
Power Supply	24VDC Input	12VDC Power Adaptor